

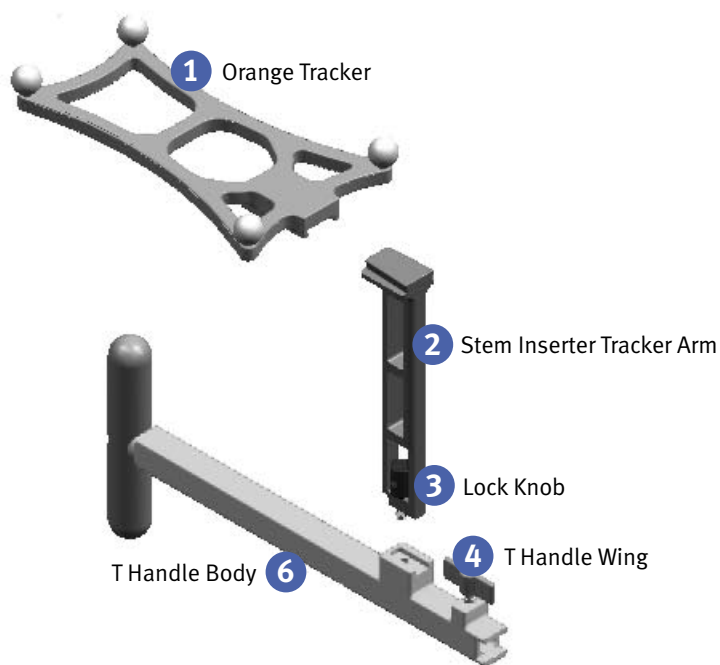


Zimmer® Computer Assisted Solutions Instruments Assembly Card

T Handle

Assembly Instructions for the T Handle

Fasten the Orange Tracker **1** onto the Stem Inserter Tracker Arm **2** using the Medtronic Fighter Insertion/Removal Tool. Place the Stem Inserter Tracker Arm **2** into the T Handle Body **6** and tighten the Lock Knob **3** to secure. Insert the Tapered Awl **5** into the T Handle Body **6** so that the flats align properly and fully insert. Tighten the T Handle Wing **4** to lock. End of Assembly.



Disassembly Instructions for the T Handle

Loosen the T Handle Wing **4** and pull out the Tapered Awl **5** from the T Handle Body. Loosen the Lock Knob **3** to release the Stem Inserter Tracker Arm **2** and detach. Unscrew the Orange Tracker **1** from the Stem Inserter Tracker Arm **2** using the Medtronic Fighter Insertion Removal Tool. End of tear down.

To learn more about *Zimmer* Computer Assisted Solutions, The Zimmer Institute skills training program, or to arrange for a consultation, contact your Zimmer representative or visit us at www.zimmer.com.



Tapered Awl **5**